



## FPX INSTALLATION MANUAL PAGE 1

### WARNING

Fixtures must be installed by a qualified electrician in accordance with all national and local electrical and construction codes and regulations.

Please read through this document entirely before beginning the installation

Monthly functional and visual inspections are recommended to ensure safe operation.

Remove this fixture from service if water or corrosion is observed inside of the fixture. Water and chemicals can corrode metallic components and damage electrical circuits. Faulted electrical circuits can experience self-heating which, while unlikely, may present a fire hazard if left unchecked. This heating can also serve as an ignition source for gasses generated by the corrosion of metals inside of the enclosure.

### RISK OF ELECTRIC SHOCK

Turn power off before inspection, installation, or removal

### Electrical Requirements

- Suitable for wet locations.
- Follow all National Electric Codes (NEC) and local codes.

### Customer Service

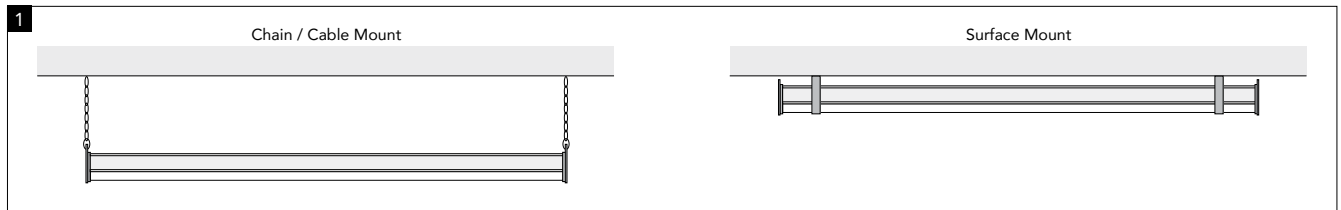
- For technical assistance please call 800-285-6780 x2 or email support@ggled.net

### Supplied Materials

- 1 FPX series luminaire(s)
- 2 Leader cable(s) for connecting luminaire to AC power source (Required only for mini-change receptacle options)
- 3 Optional surface mount bracket(s)

## FPX INSTALLATION MANUAL PAGE 2

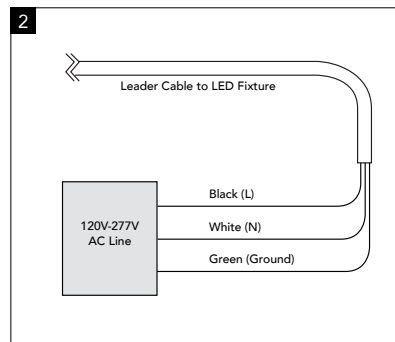
### Installation



Mount the fixture(s) in the desired location using either the chain/cable mount for suspended applications or the surface mount bracket to affix directly to the ceiling/surface. For chain/cable mounting use the center mounting hole on the fixture.

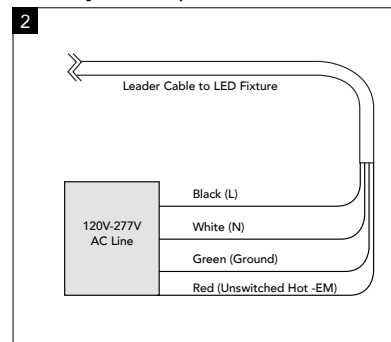
### Electrical Connections

#### Standard Version



Connect the power leader cable to the appropriate electrical service as per the diagram. Black wire to supply (line), white wire to neutral and green wire to ground.

#### Battery Backup Version (-EM)



Connect the power leader cable to the appropriate electrical service as per the diagram. Black wire to supply (line), white wire to neutral, green wire to ground and red wire to unswitched hot connection (battery backup).

### Lumen & Power Data

| Length & Output | Lumens | Wattage | Amps @120V | Amps @277V |
|-----------------|--------|---------|------------|------------|
| FPX2-SO         | 3,750  | 28      | 0.23       | 0.10       |
| FPX2-HO         | 5,000  | 38      | 0.32       | 0.14       |
| FPX4-SO         | 7,500  | 55      | 0.46       | 0.20       |
| FPX4-HO         | 10,000 | 75      | 0.64       | 0.27       |
| FPX8-SO         | 15,000 | 110     | 0.92       | 0.40       |
| FPX8-HO         | 20,000 | 150     | 1.25       | 0.54       |