



INDUSTRIAL LIGHTING

T 800.285.6780 E support@ggled.net

www.ggled.net



Available Exclusively Through:



RAINBOW MAXX PRO COLOR MAXX PRO

MAXX PRO SERIES INSTALLATION MANUAL PAGE 1

WARNING

Fixtures must be installed by a qualified electrician in accordance with all national and local electrical and construction codes and regulations.

Please read through this document entirely before beginning the installation

Monthly functional and visual inspections are recommended to ensure safe operation.

Remove this fixture from service if water or corrosion is observed inside of the fixture. Water and chemicals can corrode metallic components and damage electrical circuits. Faulted electrical circuits can experience self-heating which, while unlikely, may present a fire hazard if left unchecked. This heating can also serve as an ignition source for gasses generated by the corrosion of metals inside of the enclosure.

RISK OF ELECTRIC SHOCK

Electrical Requirements

- Suitable for wet locations.
- Follow all National Electric Codes (NEC) and local codes.

Notes

- If the external flexible cable or cord of this luminaire is damaged, it shall be replaced by a special cord or cord exclusively available from the manufacturer or his service agent.

Customer Service

- For technical assistance please call 800-285-6780 x2 or email support@ggled.net

Supplied Materials

- 1 MAXX Pro Series Luminaire
- 2 50' Leader Cable
- 3 240W 48VDC LED Power Supply
- 4 Arch Mount Brackets & Hardware

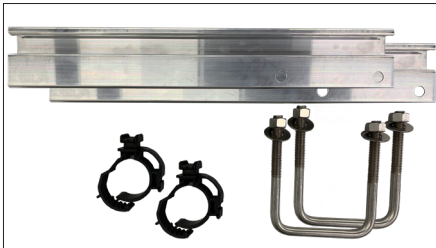
Rev Date 23 0210

Mounting

- Mount the MAXX Pro series luminaire using the supplied arch mounting brackets, fixture hangers & hardware.
- The brackets are universal (no left or right) and are designed to sit on top of the arch with the U-bolts around the bottom (see images below).
- Insert the Quicklatch hangers into the mounting arms and rotate 90° to lock the hanger into place in the desired location along the arm. Open the hangers and insert fixture into the opening. Squeeze the hanger closed until it clicks into the third latching detent and firmly holds the fixture in place. Rotate the fixture to aim the light in the desired direction.

Arch Mounting Bracket & Hardware Kits Include the Following:

- 1 Qty 2 - U-Bolt SQ Bend 3/8-16 x 5 x 4-1/8 SS
- 2 Qty 4 - Nylon lock nuts 3/8-16 SS
- 3 Qty 4 - Washers, Flat 3/8" SS
- 4 Qty 2 - Non-Metallic Quicklatch Hangers
- 5 Qty 2 - Mounting Arms



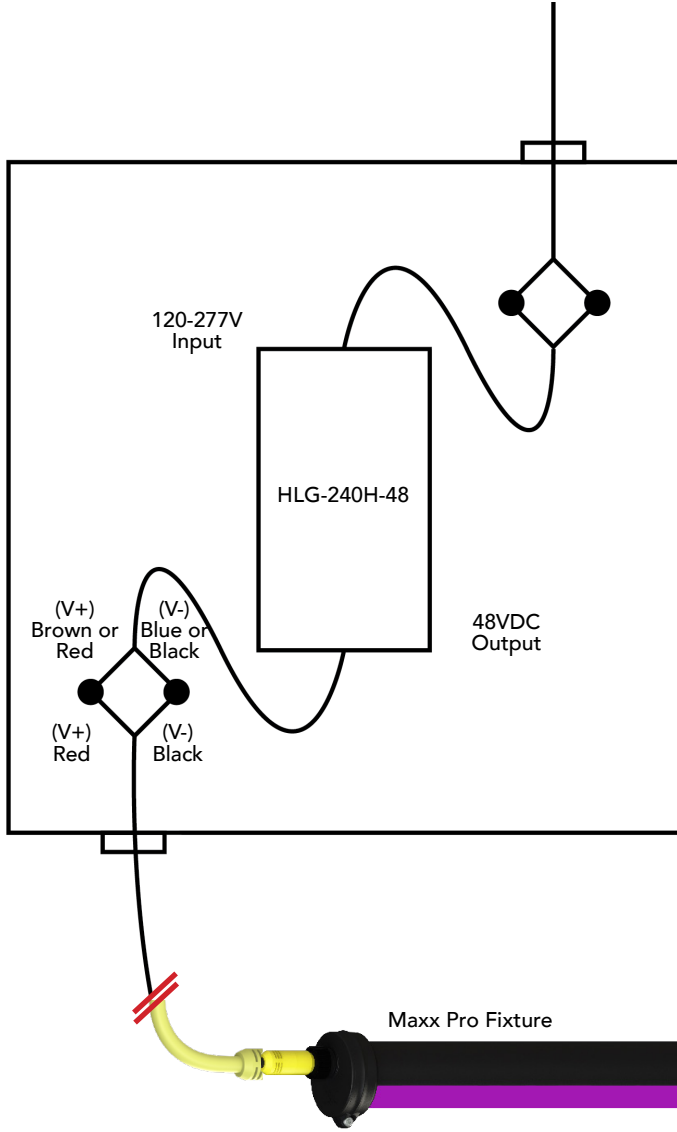
STRONG.

SIMPLE.

COMPACT.

Electrical Connection Diagrams

- DO NOT plug LED fixture directly into AC voltage.
- Fixtures require and are supplied with a 48VDC LED power supply.
- LED power supply connections must be placed in a UL approved enclosure.





BRING LIGHT ANYWHERE



STRONG.

Engineered and Tested to the Extremes



SIMPLE.

Easy Installation and Maintenance



COMPACT.

Low-Profile LED Products

STRONG.

SIMPLE.

COMPACT.