



IP69K
CERTIFIED

IK10
IMPACT
CERTIFIED



FPX INSTALLATION MANUAL PAGE 1

WARNING

Fixtures must be installed by a qualified electrician in accordance with all national and local electrical and construction codes and regulations. Please read through this document entirely before beginning the installation.

RISK OF ELECTRIC SHOCK

- Turn power off before inspection, installation or removal.

Electrical Requirements

- Suitable for wet locations.
- Follow all National Electric Codes (NEC) and local codes.

Customer Service

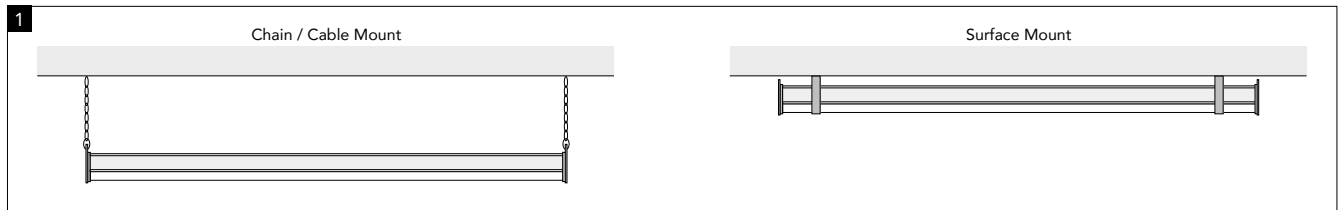
- For technical assistance please call 800-285-6780 x2 or email support@ggled.net

Supplied Materials

- 1 FPX series luminaire(s)
- 2 Leader cable(s) for connecting luminaire to AC power source (Required only for mini-change receptacle options)
- 3 Optional surface mount bracket(s)

FPX INSTALLATION MANUAL PAGE 2

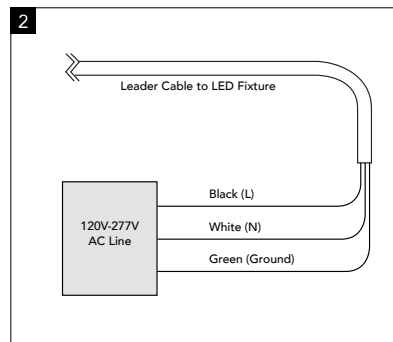
Installation



Mount the fixture(s) in the desired location using either the chain/cable mount for suspended applications or the surface mount bracket to affix directly to the ceiling/surface. For chain/cable mounting use the center mounting hole on the fixture.

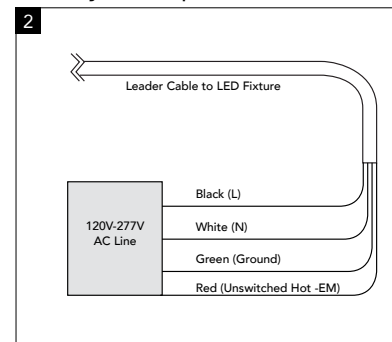
Electrical Connections

Standard Version



Connect the power leader cable to the appropriate electrical service as per the diagram. Black wire to supply (line), white wire to neutral and green wire to ground.

Battery Backup Version (-EM)



Connect the power leader cable to the appropriate electrical service as per the diagram. Black wire to supply (line), white wire to neutral, green wire to ground and red wire to unswitched hot connection (battery backup).

Lumen & Power Data

Length & Output	Lumens	Wattage	Amps @120V	Amps @277V
FPX2-SO	3,750	28	0.23	0.10
FPX2-HO	5,000	38	0.32	0.14
FPX4-SO	7,500	55	0.46	0.20
FPX4-HO	10,000	75	0.64	0.27
FPX8-SO	15,000	110	0.92	0.40
FPX8-HO	20,000	150	1.25	0.54