

TAKE YOUR *EDGE* SYSTEM TO THE MAX

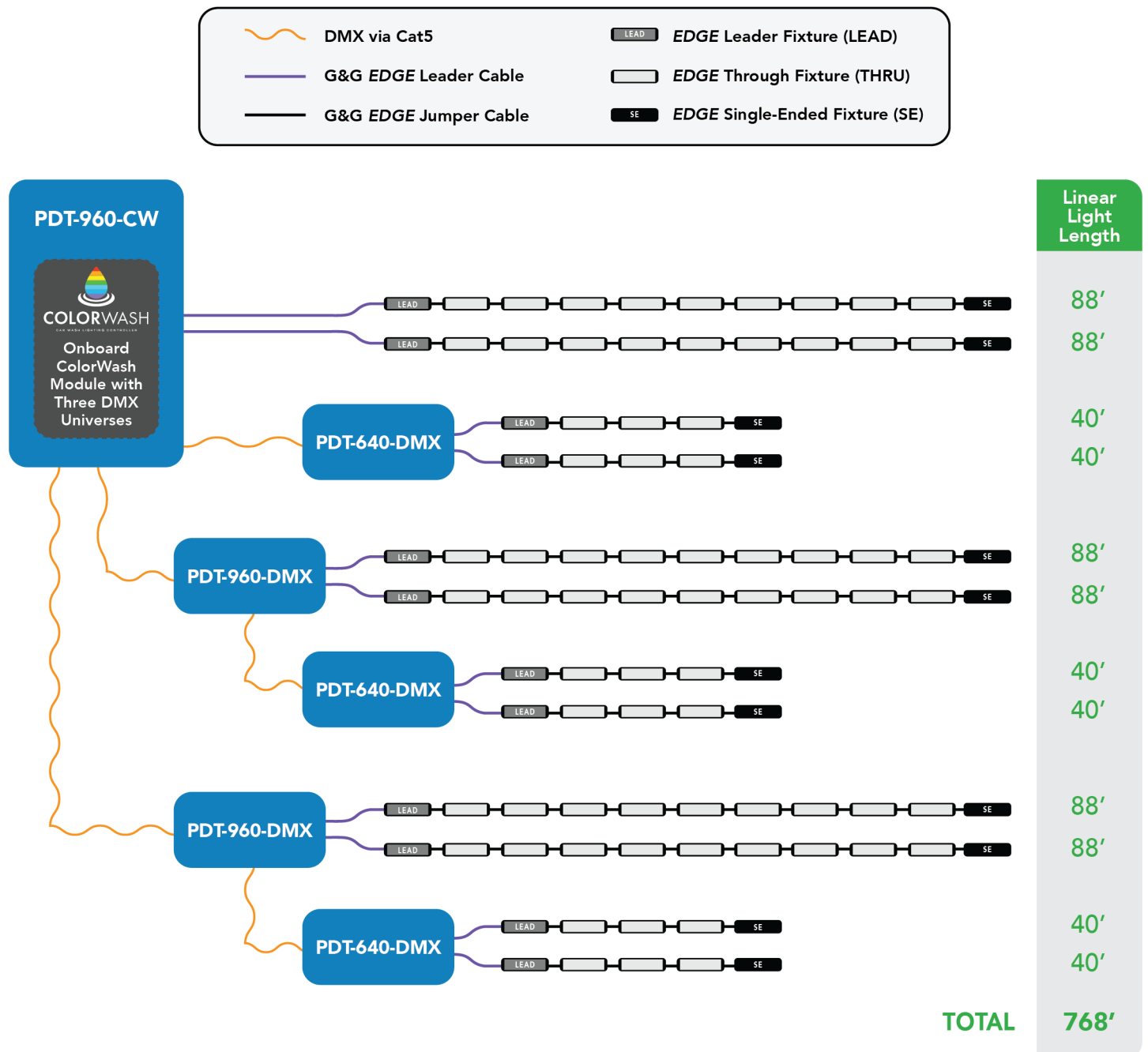
Achieve up to a total of 768 feet of linear light on one controller

The *EDGE* system is comprised of G&G's *EDGE* RGB fixtures, leader/jumper cables and power data translators (PDT), and requires DMX control. With G&G's ColorWash™ controlled system, experience incredible ease of use, over-the-air updates, and unmatched customer support while creating dazzling light shows on the exterior of any structure.



Maximum *EDGE* System Configuration Utilizing G&G's ColorWash™ Controller

This diagram is a high level illustration of a maximized *EDGE* system configuration using two-foot pixels. The G&G team will provide an exact layout representing precise PDT placement and required cabling per project. For projects requiring lengths exceeding 768', please contact G&G for custom system configuration.



Example EDGE System Configuration Utilizing Any Universal DMX Controller

This diagram is a high level illustration of an EDGE system configuration. The G&G team will provide an exact layout representing precise PDT placement and required cabling per project. Note: Configuration shown here with six PDTs, however there is no limit to the amount of PDTs added, limited only by a maximum of two PDTs per universe.

